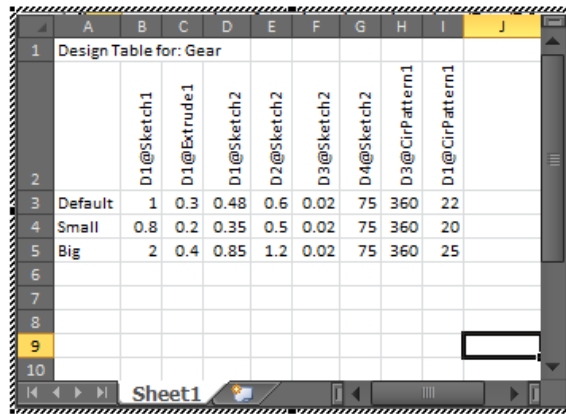


Soal:

1. Buatlah struktur sesuai dengan Gambar 1 dengan fitur weldment
2. Buatlah komponen roda gigi seperti Gambar 2 beserta design table



The image shows a screenshot of a CAD software design table for a gear component. The table is titled "Design Table for: Gear" and is located on "Sheet1". The table has 10 rows and 10 columns (A-J). The first row is the title. The second row lists the components: D1@Sketch1, D1@Extrude1, D1@Sketch2, D2@Sketch2, D3@Sketch2, D4@Sketch2, D3@CirPattern1, and D1@CirPattern1. The third row is the "Default" row, and the fourth and fifth rows are "Small" and "Big" rows, respectively. The table contains numerical values for various parameters.

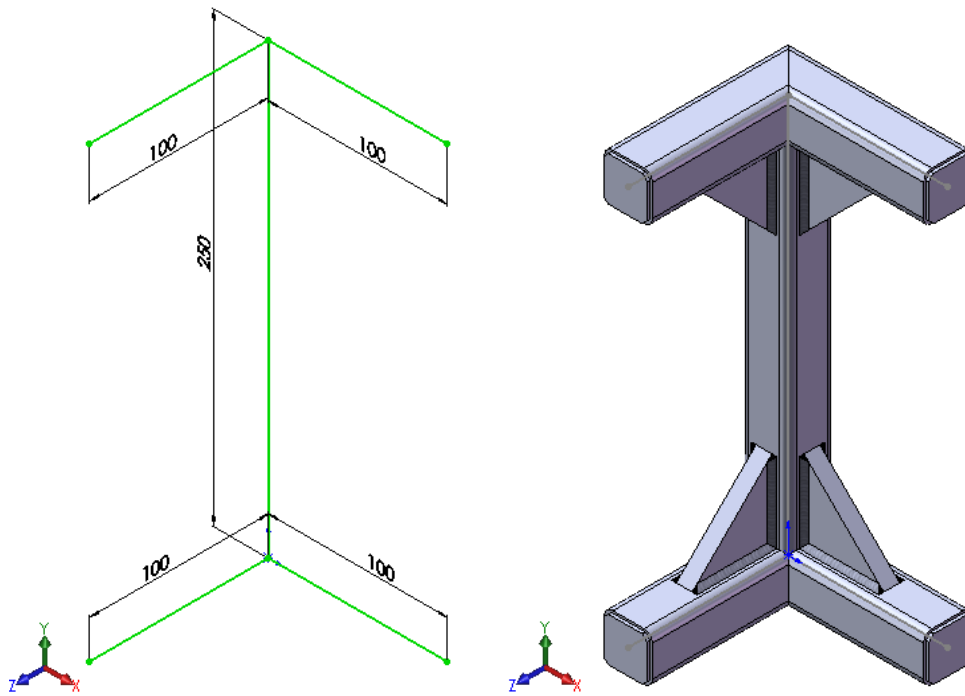
	A	B	C	D	E	F	G	H	I	J
1	Design Table for: Gear									
2		D1@Sketch1	D1@Extrude1	D1@Sketch2	D2@Sketch2	D3@Sketch2	D4@Sketch2	D3@CirPattern1	D1@CirPattern1	
3	Default	1	0.3	0.48	0.6	0.02	75	360	22	
4	Small	0.8	0.2	0.35	0.5	0.02	75	360	20	
5	Big	2	0.4	0.85	1.2	0.02	75	360	25	
6										
7										
8										
9										
10										

3. Buatlah rendering dengan objek pada soal 1 dan 2.

Hasil:

Kumpulkan semua file (Soal 1, 2 dan 3) dalam flashdisk

- Dikumpulkan secara kolektif
- Hasil ujian dibuat dalam satu folder per mahasiswa (folder beri nama dan NIM) contoh:
 - Nama_NIM
 - Jawaban Soal 1 (isi file .sldprt struktur)
 - Jawaban Soal 2 (isi file .sldprt design table)
 - Jawaban Soal 3 (Gambar rendering)



Gambar 1

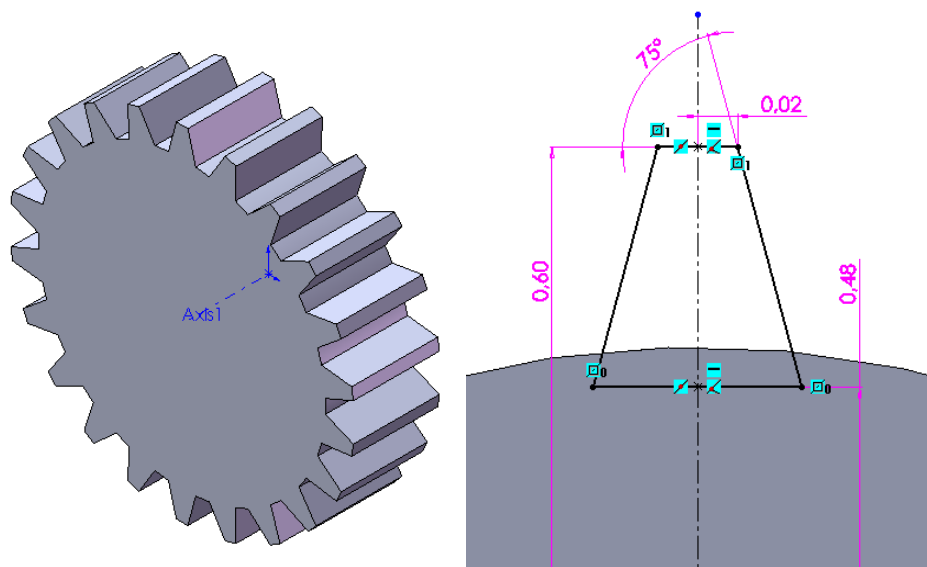
Keterangan:

Satuan: mm

Profile structural member: iso/square tube/30x30x2.6

Gusset: $d1=d2=50\text{mm}$

End cup: thickness=2, chamfer=3mm



Gambar 2

Keterangan

Satuan: inch

Jumlah gigi: 22 buah

Tebal: 0.3 inch